

Glue end-cap accessory Specification

AS-GMS1616GH0-EC

AS-GMT1616GH0-EC

AS-GMS1616GS0-EC

AS-GMT1616GD0-EC

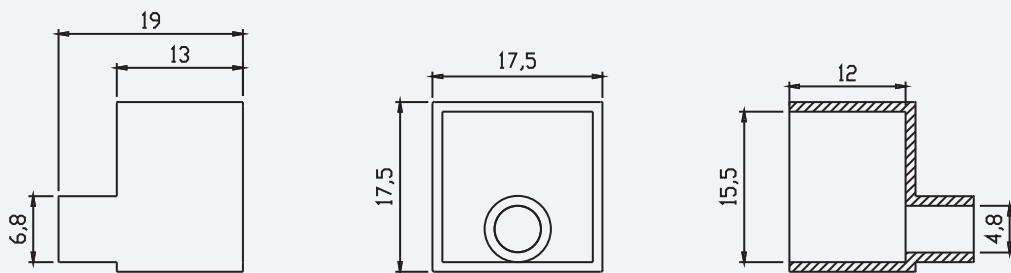


【Features】

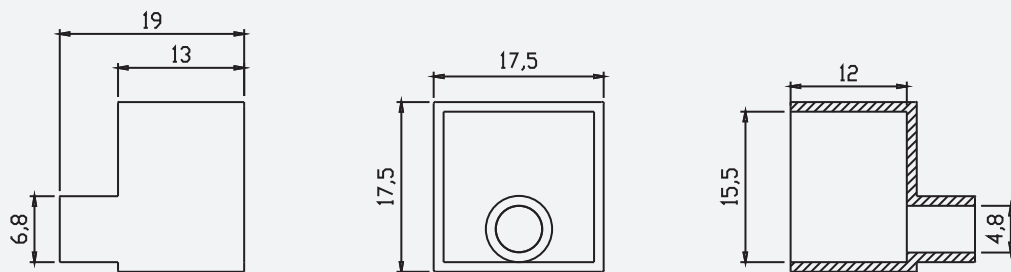
- Material: silicone;
- Operating environment: indoor;
- Molding time: 1h;
- Protection class: IP65;
- Warranty: 3 years.

【Mechanical Parameter】

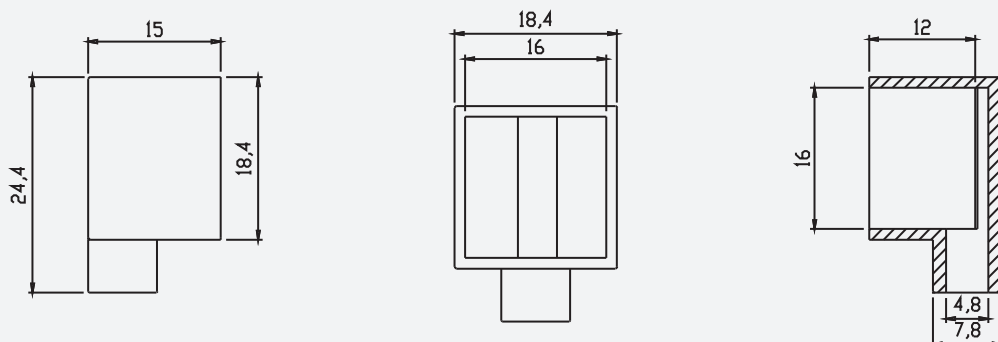
AS-GMS1616GH0-EC



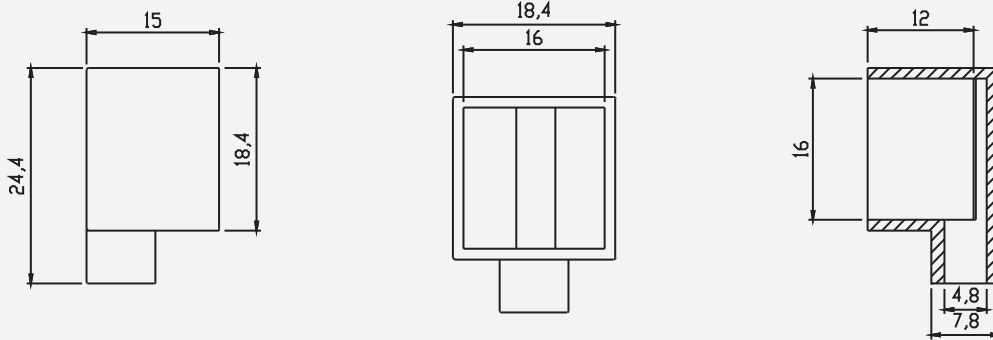
AS-GMT1616GH0-EC



AS-GMS1616GS0-EC



AS-GMS1616GS0-EC



[Specification information]

Describe	Accessories Picture	Order model	Outlet hole diameter (mm)	Quantity/ case (PCS)	Net weight (kg)	Per box net weight (kg)	Gross weight (kg)	Packages (mm)	Range of applications
Silicone Plug Set. Includes plug and plug end (Top)		AS-GMS1616GH0-EC	4.8	400	0.0025	1.034	1.334	250*250*150	suit to:AFS1616/AFT1616/AHS1616/AHT1616
Silicone Plug Set. Includes plug and plug end (Top)		AS-GMT1616GH0-EC	4.8	400	0.0025	1.034	1.334	250*250*150	suit to:AFS1616/AFT1616/AHS1616/AHT1616
Silicone Plug Set. Includes plug and plug end (Side)		AS-GMS1616GS0-EC	4.8	400	0.0037	1.488	1.788	250*250*150	suit to:AFS1616/AFT1616/AHS1616/AHT1616
Silicone Plug Set. Includes plug and plug end (Side)		AS-GMT1616GD0-EC	4.8	400	0.0037	1.488	1.788	250*250*150	suit to:AFS1616/AFT1616/AHS1616/AHT1616
Acid glue		AS-PG-0002	/	50	0.014	0.7	1.2	250*250*150	10ml/pcs

[Precautions]

- Cutting neon strip and plugging should be done in a dry environment.
- Please use professional cutting tools when cutting neon strip.
- Please use the right amount of glue, otherwise it will affect the appearance and lighting effect.
- After finishing the gluing, it needs to be left for 1-2 hours to ensure the glue is solidified.